



A division of **ROSCO**  
[www.gamonline.com](http://www.gamonline.com)

# FILM|FX™

GAM Product #TSL5801  
Rosco Product #206 25801 0120



FILM/FX™ Loop water effect

## PRODUCT DESCRIPTION

- Continuous pattern loop motion
- Unique patented slip-on loop design for quick and easy changing of the pattern loop
- Several control choices:
  - Film/FX™ variable speed
  - Film/FX™ variable speed with inline speed control
  - Available in 120v or 230v
- Supplied with single power supply that can be plugged into any AC outlet or dimmer for speed control
- Wide variety of FX/Loops to choose from
- Stainless steel housing: ensures stability of the drive mechanism in the high heat environment of an ellipsoidal spotlight
- Precision-machined drive rollers
- High performance, low voltage motor provide reliable continuous performance

The GAM Film/FX™ fits into the drop-in iris slot of an Altman Shakespeare, ETC Source Four or Strand spotlight to create a compact and powerful scenic projector. Special effects such as moving clouds, rain, snow, fire, water ripples and other scenic elements are made easy. The off-the-shelf collection of GAM Pattern Loops makes the Film/FX™ one of the most economical and efficient projection systems ever available for theatrical production.



Patent No.: US 6,616,306 B1

## PRODUCT SPECIFICATIONS

Dimensions:

Width:	Top	4-15/16 in (12.5 cm)
	Bottom	4-3/4 in (12 cm)
	with Motor	8-5/8 in (21.9 cm)

Height: 10-3/8 in (26.3 cm)

Depth: 1-5/8 in (4.12 cm)

Weight : 2 lbs, 5 oz (1.04 kg)

Finish: Stainless Steel, Brushed Finish

Connector: @120v Edison U-Ground  
@230v 2-Pin European

Cable: 6 ft #18 AWG

Power Draw: .5 Amp at 120v with our fixed 12VDC transformer TSPS-20

## PRODUCT NUMBER

**TSL5801 / 206 25801 0120**

Film/FX™ with Variable Speed 120 Volt

**TSL5802 / 206 25802 0240**

Film/FX™ with Variable Speed 240 Volt

**TSL5804 / 206 25804 0120**

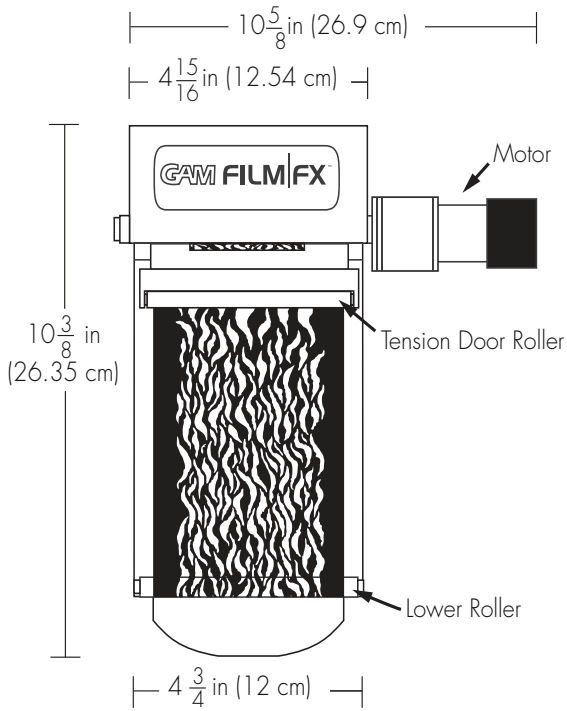
Film/FX™ with Inline Speed Control 120 Volt

**TSL5805 / 206 25805 0240**

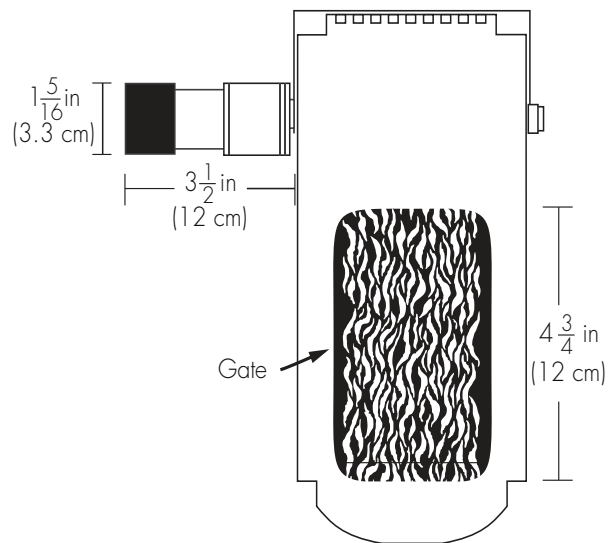
Film/FX™ with Inline Speed Control 240 Volt

Film/FX™ is supplied with attached transformer/power supply and can be plugged into any dimmer for speed control.

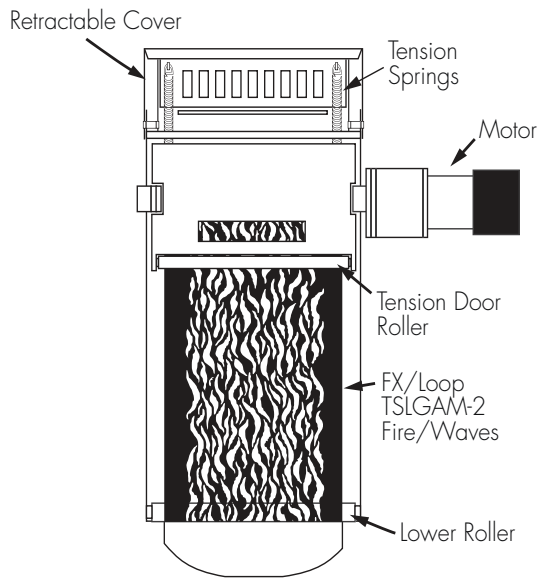
**CLOSED - TOP VIEW**



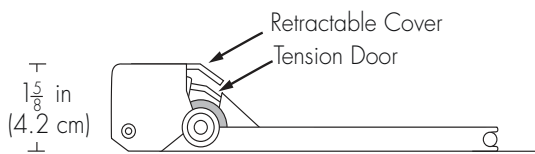
**BOTTOM VIEW**



**OPEN - TOP VIEW**



**SIDE VIEW**



**FILM/FX™ LOOP DESIGNS**

Fluffy Cloud - TSLGAM-1



Fire/Waves - TSLGAM-2



Streaky Cloud - TSLGAM-3



Rain - TSLGAM-4



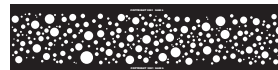
Snow - TSLGAM-5



Snow Medium - TSLGAM-5+



Small Dots - TSLGAM-6



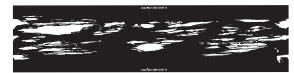
Construction - TSLGAM-7



Heavy Rain - TSLGAM-11



Clouds - TSLGAM-15



Diamonds - TSLGAM-23



Moving Breakup - TSLGAM-25

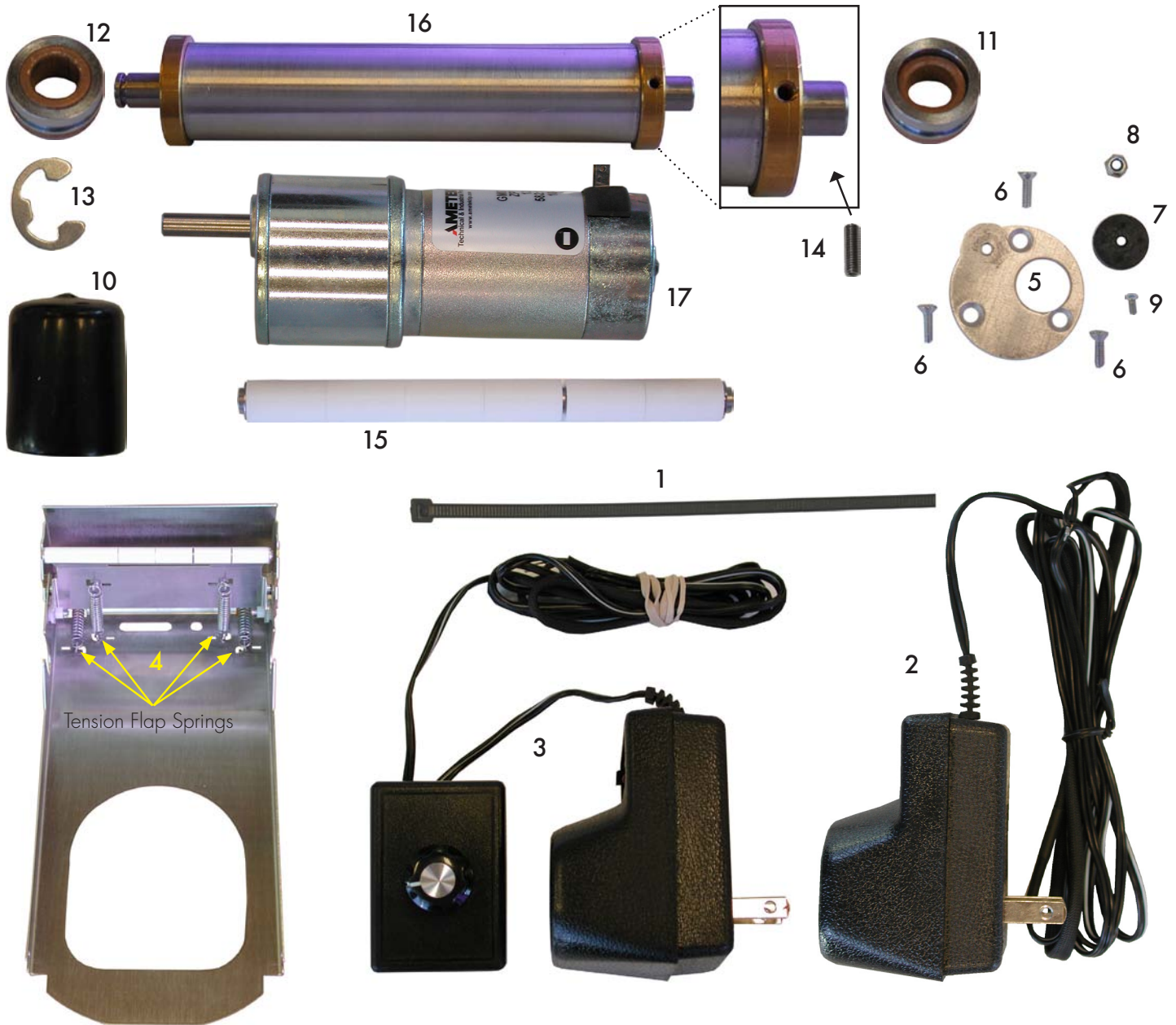


Thin Clouds - TSLGAM-36



Heavy Snow - TSLGAM-49



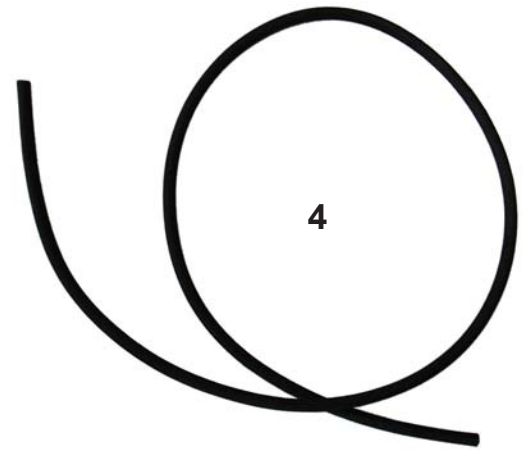


**PRODUCT NUMBER**

1	ZPTS2-25 / 206 TS225 0000	Black Tie Wrap 5.58" x .14
2	ZPTS2-40 / 206 TS240 0000	6-Step Transformer 120V
3	ZPTS2-41 / 206 25804 0120	6-Step Transformer w/Spd Cntrl
4	ZPTSL-04 / 206 TSL04 0000	Frame Cover Spring
5	ZPTSL-25 / 206 TSL25 0000	Motor Plate
6	ZPTSL-26 / 206 TSL26 0000	4-40 x 3/8 in
7	ZPTSL-27 / 206 TSL27 0000	Locator Bushing
8	ZPTSL-28 / 206 TSL28 0000	Bushing Reach Nut
9	ZPTSL-29 / 206 TSL29 0000	M3 x 8mm Locator Bushing Screw
10	ZPTS2-05 / 206 TS205 0000	Motor Cap
11	ZPTSL-35 / 206 TSL35 0000	Short Shaft Bushing
12	ZPTSL-36 / 206 TSL36 0000	Long Shaft Bushing
13	ZPTSL-37 / 206 TSL37 0000	Drive Shaft E Clip
14	ZPTSL-38 / 206 TSL38 0000	Drive Shaft Set Screw
15	ZPTSL-39 / 206 TSL39 0000	Bottom Roller Assembly
16	ZPTSL-77 / 206 TSL77 0000	Drive Shaft Assembly
17	ZPTSL-582.1 / 206 TSL58 2100	Standard Motor - Ratio 582:1

Assembled Unit  
ZPTS2-41

7



4



2



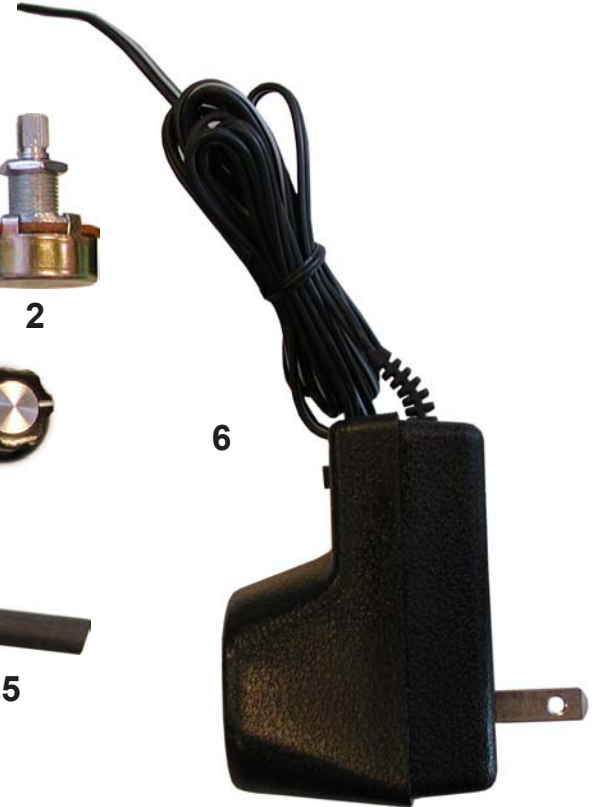
1



5



3



6

**PRODUCT NUMBER**

1	ZPTSSP-1 / 206 TSSP1 0000	Pointer Knob
2	ZPTSSP-2 / 206 TS240 0000	Potentiometer
3	ZPTSSP-3 / 206 TSSP3 0000	Plastic Housing
4	ZPTSSOLO-11 / 206 TSSOL O110	Blk Heat Resistant Sleeve- 24
5	ZPTSSP-05 / 206 TSSPO 5000	BLK Heat Shrink Tube 1/4 inch
6	ZPTS2-40 / 206 TSL04 0000	6-Step Transformer 120V
7	ZPTS2-41 / 206 TS241 0000	Assembled 6-Step Transformer w/Spd Cntrl